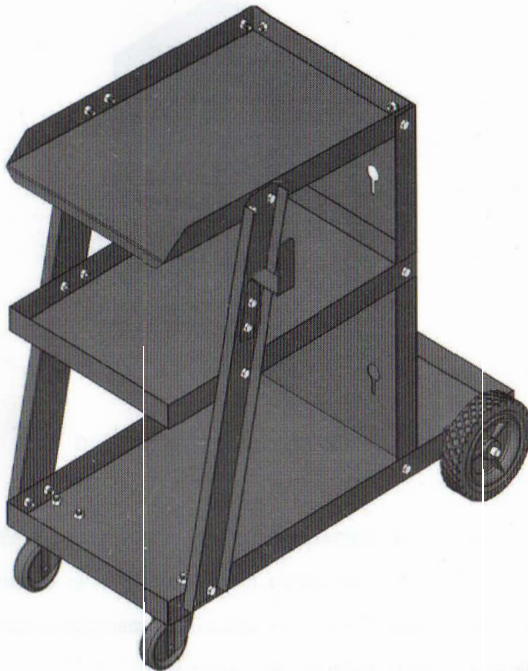


# CART 12

## Welding Cart Manual



**! Please read this manual before using**

---

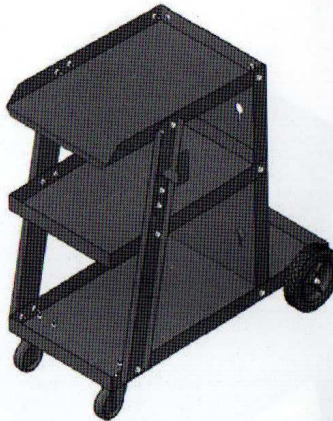
# Manual

## 1. Product Description

The Welding Cart accommodates a welder, welding tools, accessories, consumables and gas tank. Equipped with four wheels, it is very easy to move. It is an ideal piece of equipment to use in the house, garden and garage, and makes welding work very convenient.

## 2. Specifications

Model	Dimensions L x W x H ( mm )	Packing Dimensions L x W x H ( mm )	Weight (kg/lbs)	Load capacity (kg/lbs)
CART 12	690 x 402 x 720	720 x 325 x 120	14/31	50/110



Outline Sketch of the Cart

## 3. Warning

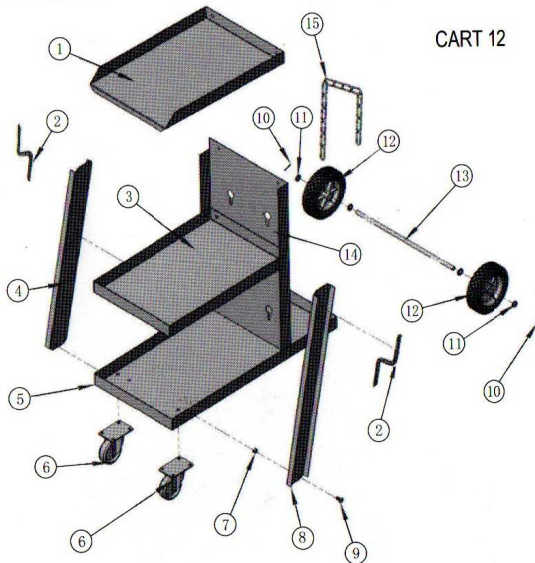
1. Always use cart on level surface, compressed gas tank is dangerous if it falls over.
2. Never position this cart on an inclined surface. It may roll away or tip, causing damage and possible injury.
3. Before using, make sure all fasteners are tight and cart is assembled as per the provided instructions.
4. Keep these warnings on the unit and in a readable condition.
5. Always move this cart by pushing or pulling on the cart handle. Never pull the cart by the welding torch or welder as this may cause the cart to tip.
6. Do not take parts in or out of the cart when the cart is moving.
7. Always chain the compressed gas tank securely with the chains provided.
8. Never weld to the compressed gas tank or this cart.

9. Failure to follow these warnings may result in property damage, personal or fatal injury.

## 4. Installation

When the cart leaves the factory, it is packaged disassembled. After opening the package, please assemble the cart according to the following images:

Use the screws included in the package to assemble the cart. Do not completely tighten screws during assembly. Once assembly is complete, ensure the back panel is perpendicular to the bottom shelf, then tighten the screws one by one.



No.	Description	Specifications	Qty
1	Top shelf	CART 12.7	1
2	Pothook	CART 12.8	2
3	Middle shelf	CART 12.4	1
4	Left support	CART 12.5	1
5	Bottom shelf	CART 12.1.2	1
6	Front roller	WP12B-65*26	2
7	Hex-nut	M6	33
8	Right support	CART 12.6	1
9	Hex-bolt	M6*10	33
10	Cotter pin	2.5*25	2
11	Flat washer	12	4
12	Rubber wheel	13B-150*35	2
13	Axle	CART 11/12(12*390)	1
14	Back panel	CART 12.3	1
15	Iron chain	4mm	2